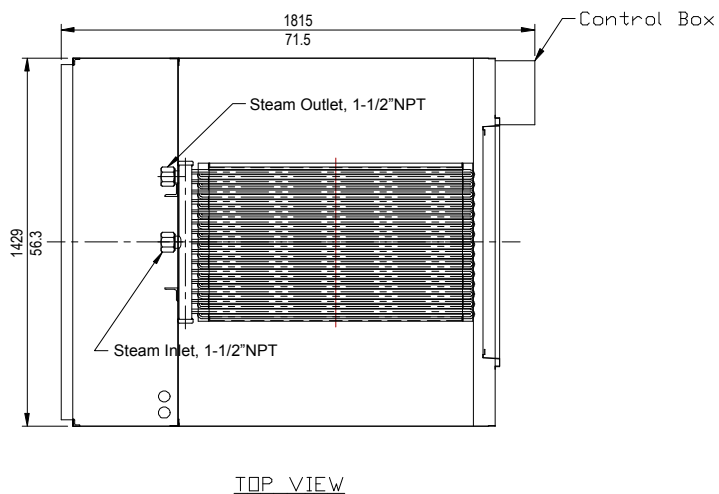
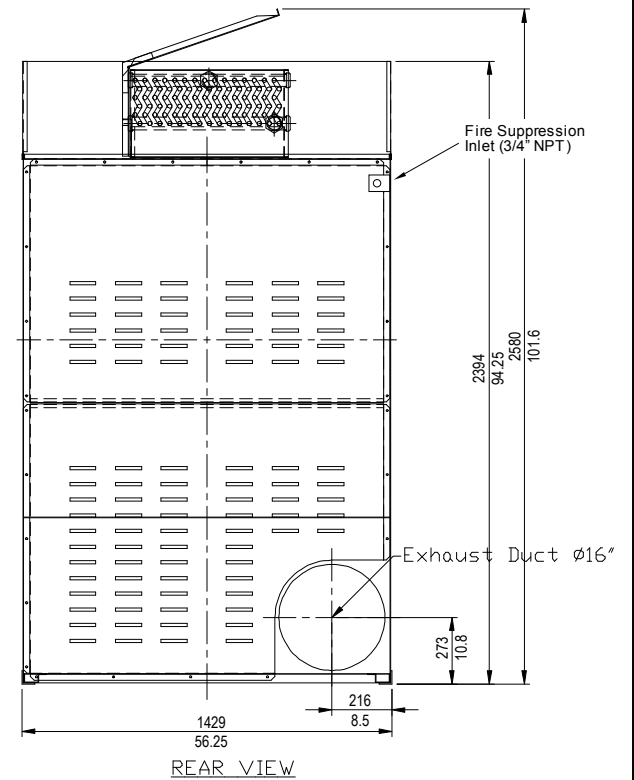
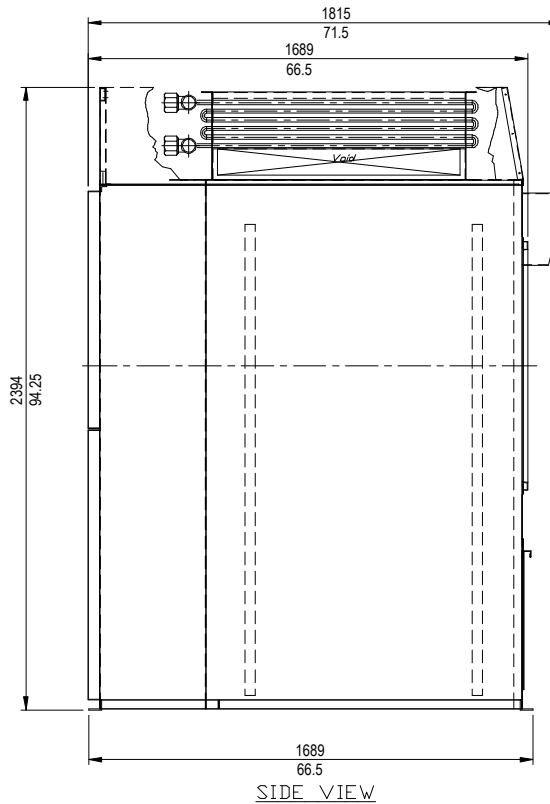
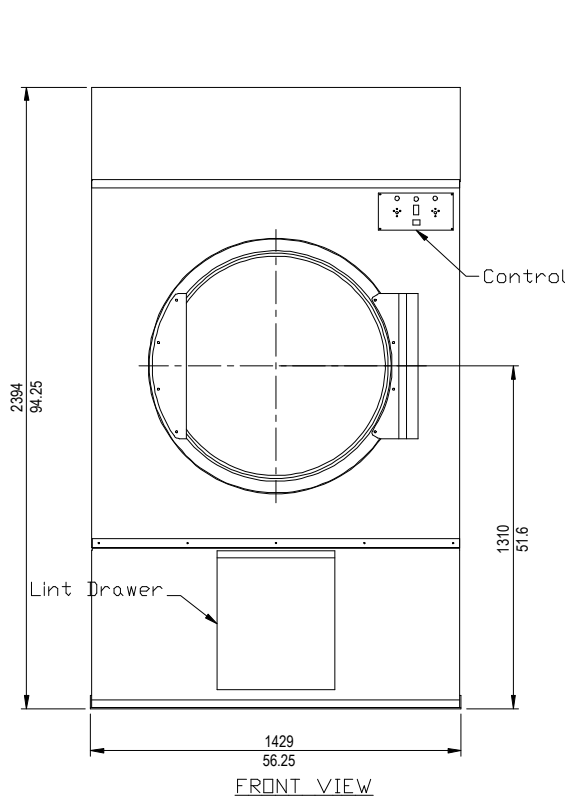


A



			DE-170	
Air Flow	CFM	cmm	4000	113
Heat Input (Gas)	BTU/hr	kcal/hr	500,000	125,000
Heat Input (Steam)	BHP	kW	19	186
Compressed Air Connection	NPT		1/8	
Electrical Requirements				
208-230V, 50/60Hz, 3PH	Amp	Breaker	32	40
380-460V, 50/60Hz, 3PH	Amp	Breaker	16	20

REV	BY	DATE	REV. DESCRIPTION	
A3	AFA	11-17-2011	Added Comp Air Reg	
DRAWN BY		DATE	 Panama City, FL Phone: 850-249-2222 Fax: 850-249-2226 www.bandctech.com	
A. Adcock		11-2-2005		
CHECKED BY		DATE		
C. Oswald		11-2-2005	DESCRIPTION	
General Technical Specifications DE-170 Steam Dryer				
DATE	FILE NAME	SHEET		
11-2-2005	DE-170 Steam	1 OF 1		